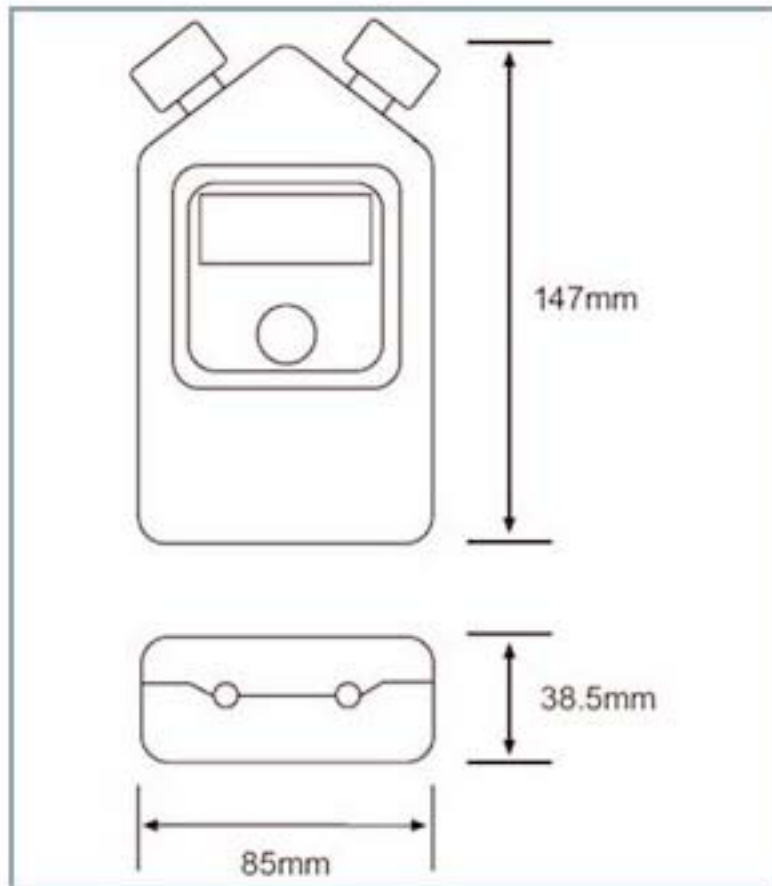


Arbra Instruments

Tel: 01978 823900

Fax: 01978 822913

Ohmmeter



Specification	DO 2000	DO 2000/2	AO 2000	DO 2024
Measuring range (Ohms)	0-1999	0-1999.9	0-1999.9	0-1999.9
Measuring Current (mA)	0.3	0.3	0.3	0.3
Voltage across terminals (vdc)	3	3	3	3
Measuring accuracy (%)	+/-1	+/-1	+/-1	+/-1
Measuring accuracy (count)	+/-1	+/-1	+/-1	+/-1
Sample rate (/sec)	3	3	3	3
Temp range (deg)	-20/50	-10/50	-10/50	-10/50
LCD Display	3.5	4.5	4.5	4.5
Display digit height (mm)	12.5	12.5	12.5	12.5
Battery	pp3	pp3	pp3	pp3
Net Weight (kg)	0.45	0.45	0.45	0.45
Approved	No	No	Yes	No
Backlit	No	No	No	Yes

Ohmmeter Data

The range uses a surface mount technology package for all electronic functions. 3.5 and 4.5 digit displays are available. Backlit is available on 4.5 digit displays only. The range has a self setting zero. A low battery warning is provided.

Use

To operate the ohmmeter connect the shot firing cables to the two terminals. Press the switch button to see the circuit resistance displayed. The unit automatically switches off when the button is released.

An open circuit or resistance above 1999.9 ohms is displayed as 1 on the left hand side of the display.

When the battery requires replacement a battery symbol will appear on the display. To replace the battery remove the case screws and lid this will allow access to the battery compartment.

Construction

The ohmmeters are manufactured in a robust high-impact ABS moulded case. It is completely water and dust proof. A unique feature of the Ohmmeter is the use of sliding billet terminals. This feature makes for ease in connecting cables to the exploder and also helps prevent the cables from damage.

Components inside the ohmmeter are encapsulated to protect against damage from mishandling reducing maintenance to a minimum.

Accessories

Supplied with neck strap carrying case and one battery.

Warranty

All Arbra beethoven ohmmeters are covered by a 12 months warranty.

The d.c. voltage required to initiate the detonators is supplied by a hand operated generator which charges a capacitor to 950 Volts.

When the neon indicator lights the exploder is fired by pressing the fire button.

Approval

DO 2000 has approval for use at the face in N.Ireland only.

A0 2000 has approval for intrinsically safe and gaseous environments.

The Arbra beethoven range

Arbra manufacture range of ohmmeters and our sales office would be delighted to help you select the most appropriate one for your application.

Arbra also offer a range of exploders, hand generated and battery operated.